

# SPARE PARTS SECTION

The following section covers the spare parts diagrams and lists that were current at the time this manual was originally printed. Due to continuous improvements of the machine, changes may be made at any time without notification.

## HOW TO ORDER SPARE PARTS

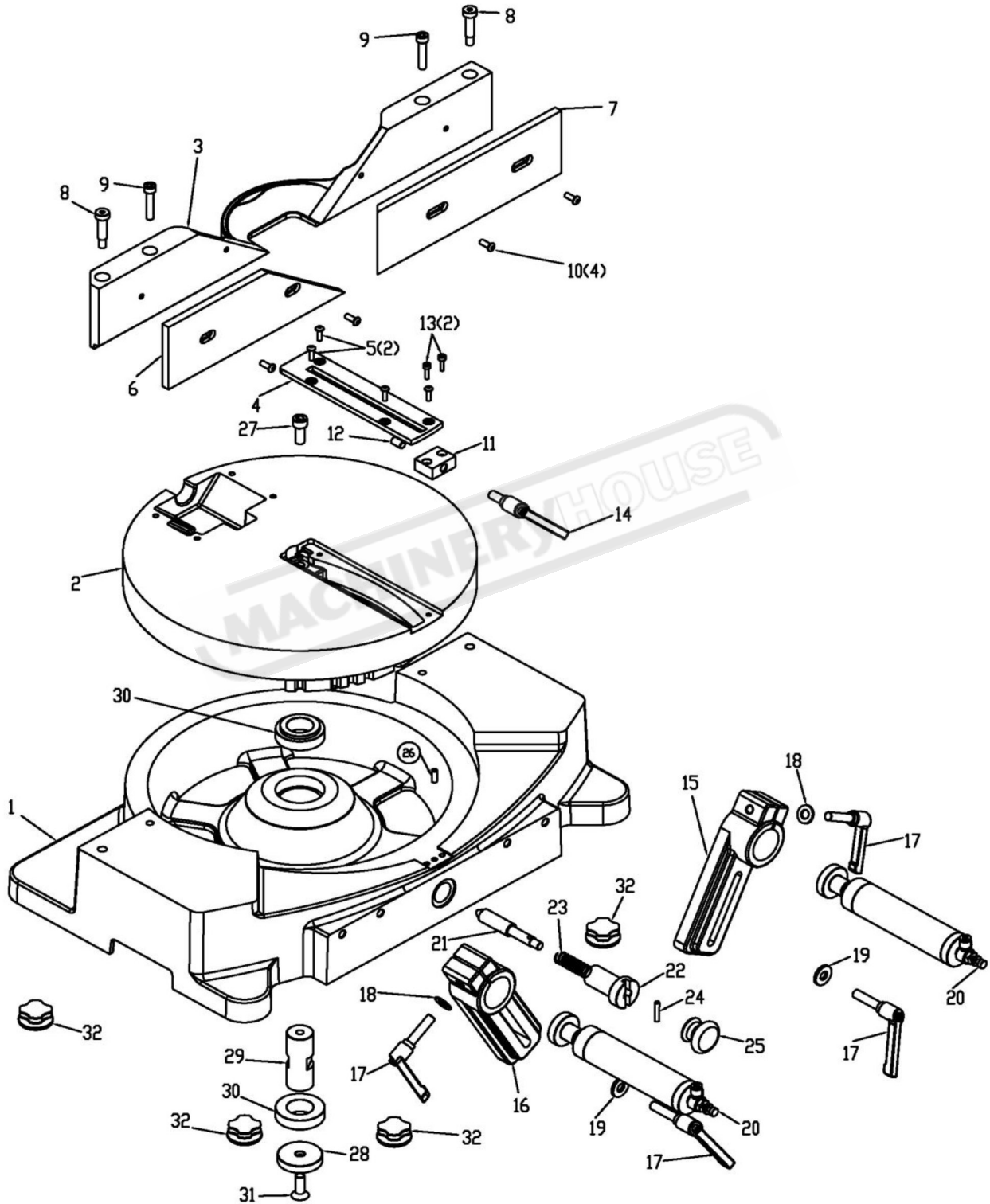
1. Have your machines **model number, serial number & date of manufacture** on hand, these can be found on the specification plate mounted on the machine
2. A scanned copy of your parts list/diagram with required spare part/s identified
3. Go to [www.machineryhouse.com.au/contactus](http://www.machineryhouse.com.au/contactus) and fill out the enquiry form attaching a copy of scanned parts list.





OPERATION MANUAL

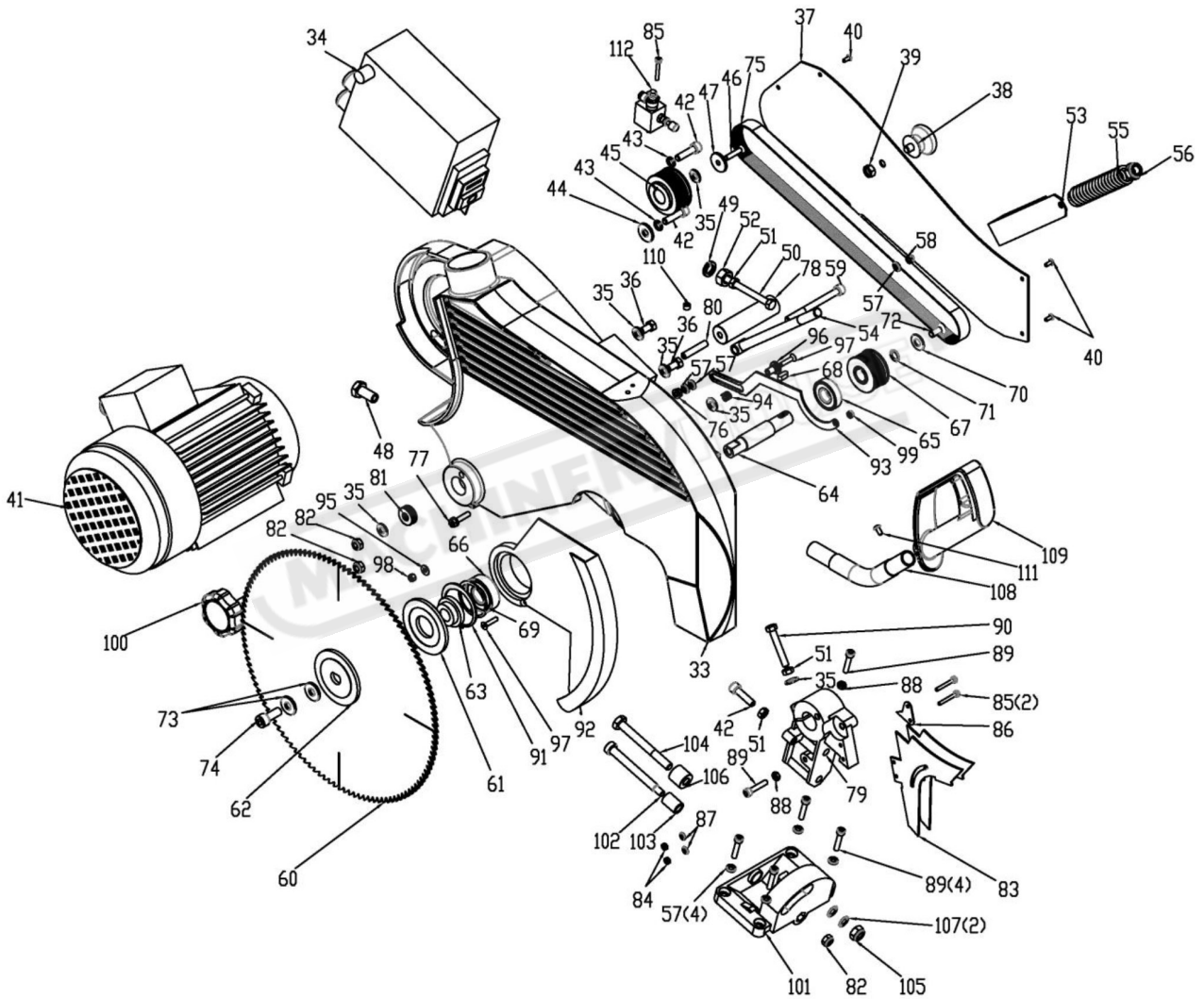
TURNTABLE SPARE PARTS DIAGRAM



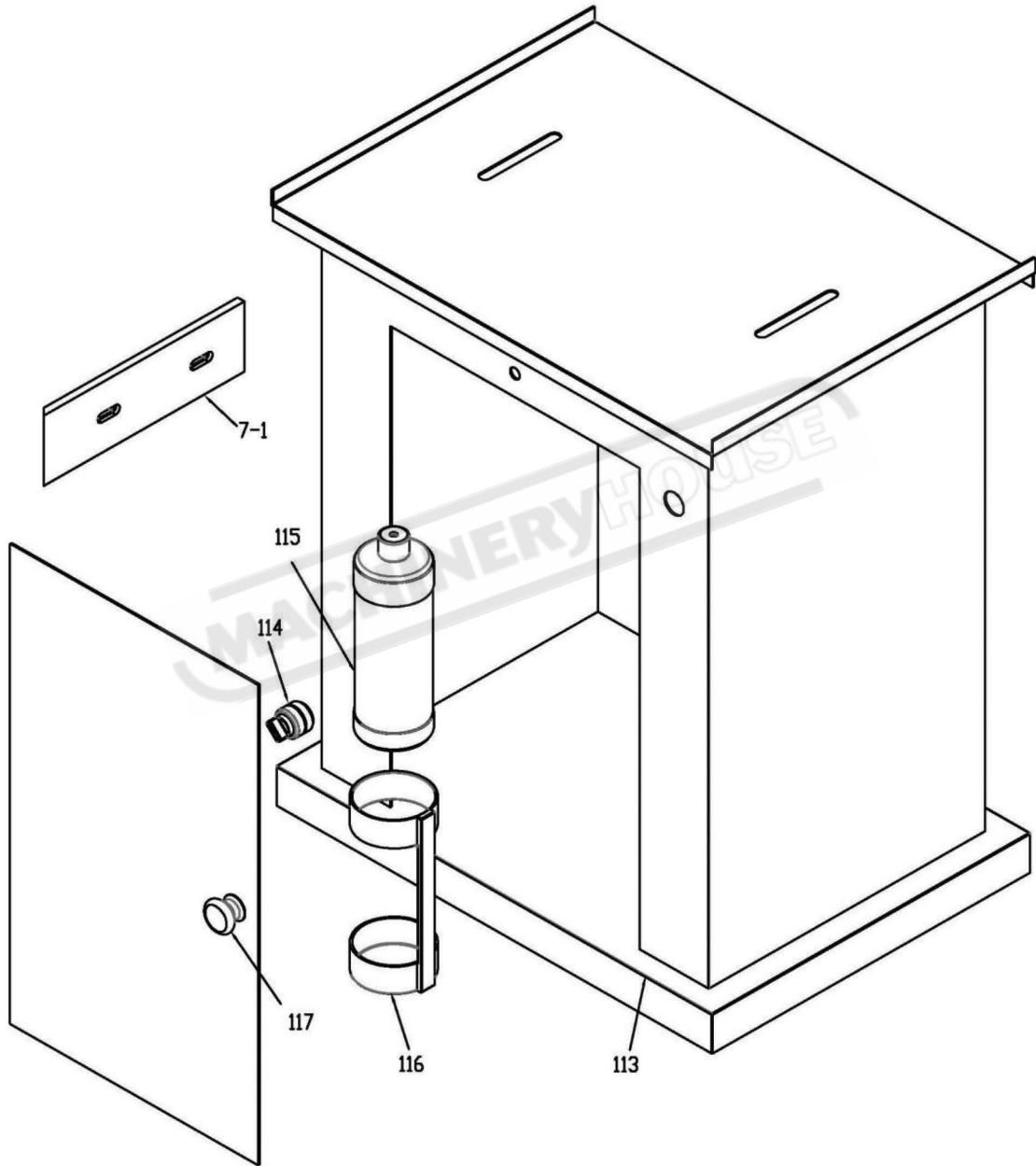


OPERATION MANUAL

SAW ARM SPARE PARTS DIAGRAM



**STAND SPARE PARTS DIAGRAM**



---

**OPERATION MANUAL**


---

**SPARE PARTS LIST**

Part No.	Description	Size	Qty
1	Base		1
2	Round Plate		1
3	Backgage Seat		1
4	Blade Plate		1
5	Screw	M5x16	4
6	Backgage Seat Left Plate		1
7	Backgage Seat Right Plate	45 degree	1
7-1	Backgage Seat Right Plate	90 degree	1
8	Screw	M8x13	2
9	Screw	M8x40	2
10	Screw	M6x16	4
11	Round Plate Seat		1
12	Round Plate Seat Soft Column		1
13	Screw	M5x16	2
14	Flexible Pin	M10x20	1
15	Pneumatic Clamping Rod Right Seat		1
16	Pneumatic Clamping Rod Left Seat		1
17	Flexible Pin	M10x40	4
18	Washer	M10x22x10	2
19	Washer	M10x25x10	2
20	Pneumatic Clamping		2
21	Round Plate Pin		1
22	Round Plate Pin Seat		1
23	Spring	15x5x43	1
24	Pin Spring	5x26	1
25	Round Plate Pin Handle		1
26	Screw	M6x16	1
27	Screw	M10x25	1
28	Base Bearing Plate		1
29	Swivel Shaft		1
30	Bearing	32006	2
31	Screw	M10x24	1
32	Rubber Plate		4
33	Bow Saw		1
34	Power Box		1
35	Washer	M8	6
36	Screw	M8	2
37	Bow Saw Power		1
38	Bow Saw Power Handle		1
39	Screw		1

---

**OPERATION MANUAL**


---

**SPARE PARTS LIST**

Part No.	Description	Size	Qty
40	Screw	M4x10	5
41	Motor		1
42	Screw		3
43	Spring Washer	M8	2
44	Washer	M8	1
45	Motor Belt		1
46	Screw	M6x26	1
47	Washer	M6	1
48	Screw	M12x8	1
49	Spring Washer	M12	1
50	Screw	M8x80	1
51	Nut	M8	3
52	Nut	M12	1
53	Flexible Seat		1
54	Flexible Seat Handle		1
55	Flexible Seat Handle Spring		1
56	Nut	M12	1
57	Washer	M6	7
58	Nut	M6	1
59	Screw	M8x30x90	1
60	Blade		1
61	Blade Within Clip		1
62	Blade Outer Clip		1
63	Blade Seat		1
64	Blade Shaft		1
65	Bearing	6203	1
66	Bearing	6204	1
67	Blade Belt		1
68	Key	6x6x15	1
69	C-Ring	20	1
70	Blade Belt Washer	M8xT1	1
71	Blade Belt Washer	M8xT2	1
72	Screw	M8x15	1
73	Washer	M10	2
74	Screw	M10x25	1
75	Belt		1
76	Nut	M6	1
77	Screw	M6	1
78	Swivel Shaft		1
79	Swivel Up Seat		1

---

**OPERATION MANUAL**

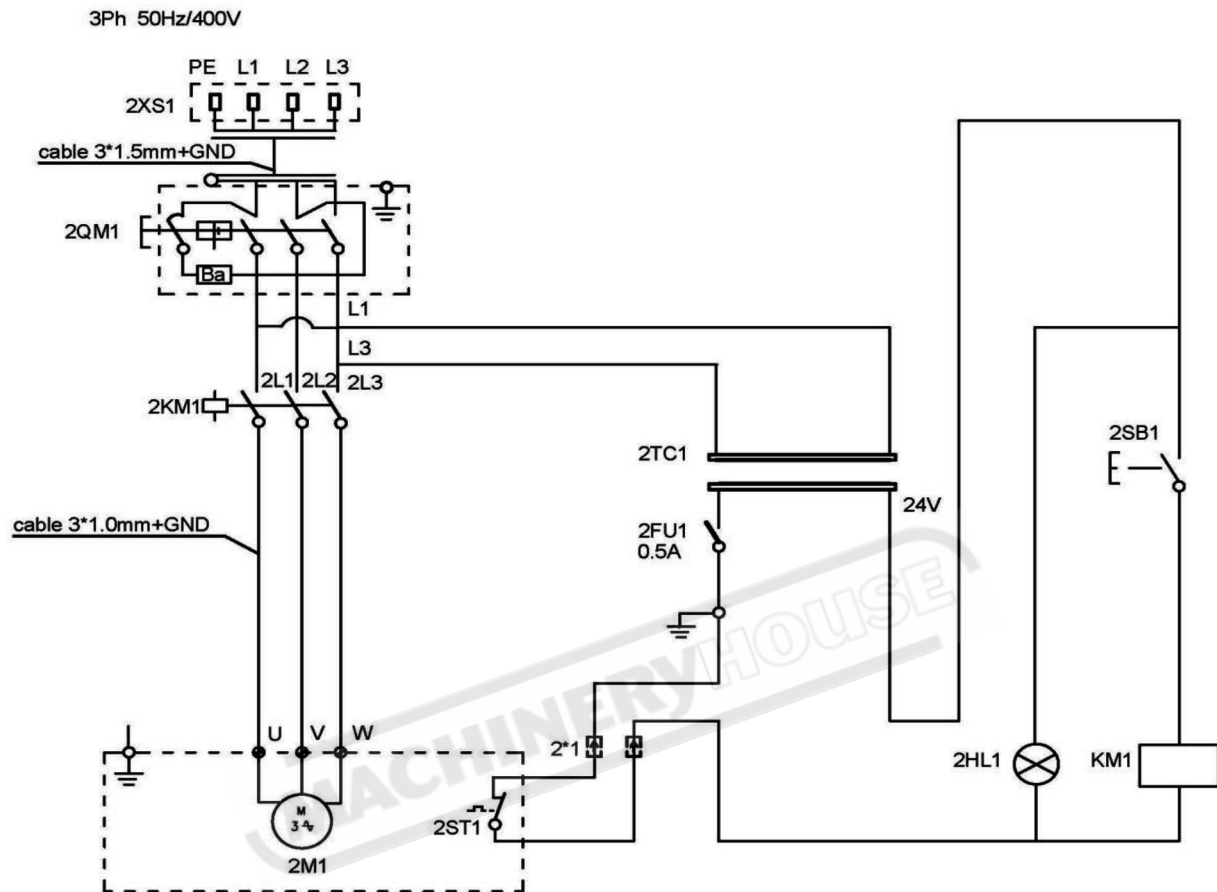

---

**SPARE PARTS LIST**

Part No.	Description	Size	Qty
80	Screw	M8x40	1
81	Bearing	51100	1
82	Nut	M8	3
83	Blade Down Cover		1
84	Nut	M4	2
85	Screw	M4x30	3
86	Swivel Up Seat		1
87	Washer	M4	2
88	Nut	M6	2
89	Screw	M6x130	6
90	Screw	M8x50	1
91	C-Ring	55	1
92	Blade Outer Cover		1
93	Blade Outer Cover Support		1
94	Blade Outer Cover Support Spring		1
95	Washer		1
96	Blade Spring Bushing		1
97	Screw	M5x120	2
98	Nut	M5	1
99	Set Slide Nut	M5	1
100	Swivel Seat Handle		1
101	Swivel Down Seat		1
102	Swivel Down Screws		1
103	Swivel Down Bushing		1
104	Screw	M10x30x90	1
105	Set Slide Nut	M10	1
106	Swivel Down Up Bushing		1
107	Washer	10x16x10	2
108	Wire Handle Pipe		1
111	Screw`		1
109	Wire Handle		1
110	Screw	M8x6	1
112	Oil Mist Device		1
113	Machine Stand		1
114	Power Knob		1
115	Oil Mist Bottle		1
116	Oil Mist Bottle Holder		1
117	Machine Stand Door		1

## OPERATION MANUAL

### WIRING DIAGRAM



Item	Description	Brand No.	Specification
2KM1	Magnetic Switch For Motor	S-P09-S/AC24V (Shihlin)	AC 600V AZ1=1TH=20A CE
2QM1	Main Power Switch	KJD-18 400V (Kedu)	AC3-7.5A AC-15-6A AC-1-13.5A CE
2SB1	Trigger Switch	CMV100D	UI:380V ITH:10A AC-15 DC-13 CE
2M1	Motor		3Ph 400V 50Hz
2HL1	Pilot Light		24V DC
2FU1	Fuse		0.5 Amp
2ST1	Temperature Over Load (Int. Motor)		
2TC1	Transformer		400V/24V/10AV